



## SPECIFICATIONS

### 1 General

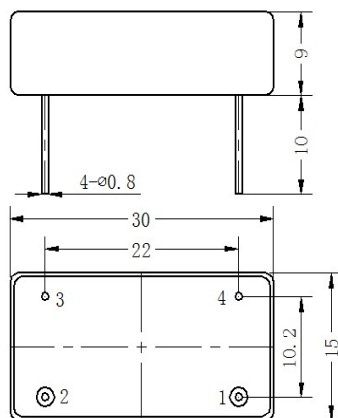
Part Number	Description
LB198M20C5A	198MHz LC filter, DIP package

### 2 Revision History

Revision	Released	Revision Detail
R1	2024-6-11	Initial Release

### 3 Electrical Specification

Item	Typical
Nominal Frequency (Fc, MHz)	198
Insertion Loss (dB)	≤4.5
Ripple Within Pass Band (dB)	≤1.0
Bandwidth at -3dB (MHz)	≥20
Bandwidth at 40dB Attenuation (MHz)	≤58
I/O Impedance (ohm)	50
Operation Temperature (°C)	-20 ~ +70
Storage Temperature (°C)	-50 ~ +90
Package Size (mm)	30x15x9



Pin No.	Description
1	Input/Output
2	Output/Input
3, 4	Ground

Bottom View

Unit:mm